



Rollux 2 – pull down, tilt and pivot in one step

Rollux 2

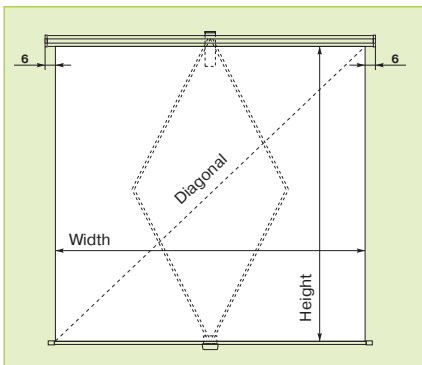
- Distortion-free projection using INC (inclination) technology
- Optimal flatness thanks to the scissor mechanism on the back (therefore stepwise height adjustment)
- Wall or ceiling mounting, single mounting point (central)
- Octagonal sheet steel casing
- Casing colour: white, RAL 9010

With optionally available accessories, Rollux 2 can:

- Tilt from 0° to 15°
- Swivel steplessly left-to-right

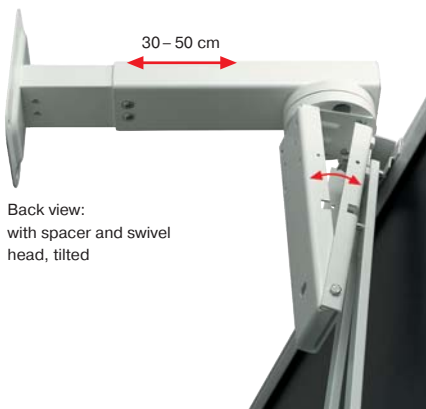
Screen surface

- Front projection, **type D**
- DIN 19045 gain factor, approx. 1.2
- Matt white, foil base
- Back: black, virtually opaque



Rollux 2				
External dimensions* W/H	Casing Ø	Diagonal cm/inch	Weight net kg	Code No.
150/150 cm	5.5 cm	212/84	10.0	13060
180/180 cm	7.2 cm	255/100	12.5	13061
200/200 cm	7.2 cm	283/111	14.0	13062

Instructions for optimal assembly		
Desired mounting	Required accessories	Code No.
Ceiling mounting	no accessories required	–
Ceiling mounting + tiltable 0°-15°	no accessories required (just appropriate distance from wall)	–
Ceiling mounting + stepless swivel	swivel head + appropriate clearance from wall	13064
Wall mounting	no accessories required	–
Wall mounting + tiltable 0° - 15°	spacer 30-50 cm	13063
Wall mounting + steplessly tiltable	spacer 30-50 cm + swivel head	13063+13064



Back view: with spacer and swivel head, tilted

Accessories

Wall/ceiling spacer

For installation in suspended ceilings and for tilting to eliminate the keystone effect if screen is wall-mounted
Spacing 30, 40 and 50 cm
Code No. 13063

Swivel head

Enables screen to be swivelled left or right (when wall-mounted only in combination with wall/ceiling spacer)
Code No. 13064