



MovieSmart Motor – in elegant design

- Maintenance-free, silent operation thanks to robust tube motor (230V)
- On-wall switch included in delivery standard, cable exit at top right
- **Precise and safe shutdown thanks to additional, built-in micro-switch**
- Projection surface steplessly adjustable
- Steel end caps are flush with casing
- Can be wall or ceiling mounted; universal mounting angles are part of the delivery standard
- Mounting angles can be moved horizontally along the screen casing
- Aluminium casing, cross-section approx. 8.6 x 8.8 cm

- Projection surface is flush with casing thanks to conical weight bar
- Casing colour: white, RAL 9016
- Available in **1:1 format** (without border), **4:3 format** and **16:9 format** with black border

NEW: 16:10 format upon request

Screen surface

- Front projection, **type D**
- DIN 19045 gain factor, approx. 1.2
- Matt white, woven fabric base
- Back: opaque

Accessories

Radio remote control

Code No. 184931
Refer to page 22 for details

Wall spacer

- 10 cm space
Code No. 135320 1 pair
- 30 cm space
Code No. 135330 1 pair
- 50 cm space
Code No. 135340 1 pair



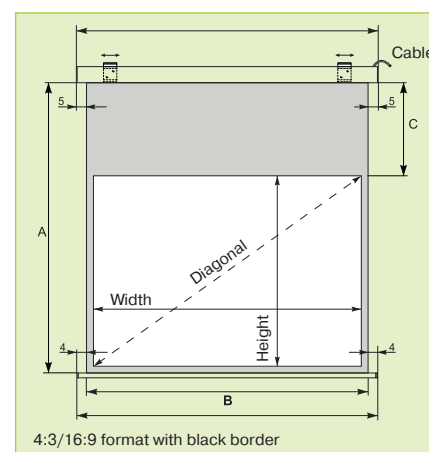
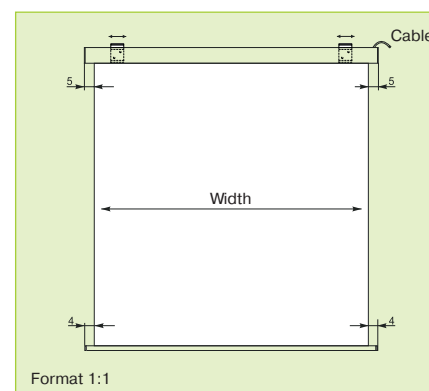
Rocker switch, included in the delivery standard



Movable mounting angles



Conical weight bar for flush finish with casing



MovieSmart Motor						
Image sizes W/H	A cm	B cm	C cm	Diagonal cm/inch	Weight net kg	Code No.
Overhead format 1:1						
150/150 cm				212/84	12.7	135120
180/180 cm				255/100	15.5	135130
200/200 cm				283/111	16.5	135140
240/240 cm				339/133	21.0	135150
Video format 4:3						
146/110 cm	150	150	38	183/72	12.7	135160
176/132 cm	180	180	46	220/87	15.5	135170
196/147 cm	200	200	51	245/96	16.5	135180
236/177 cm	240	240	61	295/116	21.0	135190
Cinema format 16:9						
146/82 cm	150	150	66	168/66	12.7	135200
176/99 cm	180	180	79	202/80	15.5	135210
196/110 cm	200	200	88	225/89	16.5	135220
236/133 cm	240	240	105	271/107	21.0	135230