

---

**S P E C F I L E**

---

**Product Number :** PT-**RZ670B/RZ670W**  
PT-**RZ670LB/RZ670LW**

**Product Name :** DLP™ Projectors

**Specifications**

**Main unit**

Power supply		AC100 - 240V 9.0 - 4.0A 50Hz/60Hz (Taiwan: AC110V 8.0A 60Hz)
Power consumption		720W (735VA at 240V AC) (Taiwan: 730VA at 110VAC) NORMAL: 558W ECO: 480W LONG LIFE1: 448W LONG LIFE 2: 430W LONG LIFE 3: 407W *Operating Temperature: 25 °C (77 °F), Altitude: 700m (22 ft 12 in), ICE627087: 2008 Broadcast contents, Picture mode: Standard, Dynamic contrast2
	Standby Mode (Eco)*1	0.3W, 0.2W (Taiwan)
	Standby Mode (Normal)	3W
BTU value		Max 2,457 BTU (Without light 2,368 BTU)
DLP™ chip	Panel size	17.0 mm (0.67 in) diagonal (16:10 aspect ratio)
	Display method	DLP™ chip × 1, DLP™ system
	Pixels	2,304,000 (1,920 × 1,200) × 1, total of 2,304,000 pixels
Lens	PT-RZ670K/RZ670W	Powered zoom/focus lenses (1.7–2.4:1), F 1.7–1.9, f 25.6–35.7 mm
	PT-RZ670LK/RZ670LW	Optional powered zoom/focus lenses and fixed-focus lens
Light Source		Laser Diode (Laser class: Class 1) *Class 3R for North America. Luminance life for set: 20,000 hours at half luminance (normal)/ 24,000 hours at half luminance (Eco) * Temperature: 35°C (95°F), Altitude 700m (22ft 12in), Dust: 0.15mg/m³
Screen size		1.27–15.24 m (50–600 inches) *1.27 – 5.08 m (50 – 200 inches) with the ET-DLE055 (16:10 aspect ratio) *2.54 – 7.62 m (100 – 350 inches) with the ET-DLE030 (16:10 aspect ratio)
Brightness*2		6,500 lumens (Operation mode: NORMAL)
Center-to-corner uniformity*2		90%
Contrast*2		10,000:1 (full on/full off, dynamic contrast ON)
Resolution		1,920 × 1,200 pixels
Scanning frequency	SDI	3G-SDI signal (RGB 4:4:4 12-bit/10-bit): SMPTE ST 424 compliant: 1125(1080)/60i, 1125(1080)/50i, 1125(1080)/25p, 1125(1080)/24p, 1125(1080)/24sF, 1125(1080)/30p 3G-SDI signal (YPbPr 4:2:2 10-bit): SMPTE ST 424 compliant: 1125(1080)/60p, 1125(1080)/50p HD-SDI signal (YPbPr 4:2:2 10-bit): SMPTE ST 292 compliant: 750(720)/60p, 750(720)/50p, 1125(1035)/60i, 1125(1080)/60i, 1125(1080)/50i, 1125(1080)/25p, 1125(1080)/24p, 1125(1080)/24sF, 1125(1080)/30p SD-SDI signal (YCbCr 4:2:2 10-bit): SMPTE ST 259 compliant: 525i(480i), 625i(576i)
	HDMI/DVI-D	fH: 15- 100kHz, fV: 24 - 120Hz, dot clock: 25 - 162 MHz 525i (480i)*3, 625i (576i)*3, 525p (480p), 625p (576p), 750 (720)/60p, 750 (720)/50p, 1125 (1080)/60i, 1125 (1080)/50i, 1125 (1080)/25p, 1125 (1080)/24p, 1125 (1080)/24sF, 1125 (1080)/30p, 1125 (1080)/60p, 1125 (1080)/50p, VGA (640 x 480) - WUXGA*4 (1920 x 1200) compatible with non-interlaced signals only
	RGB	fH: 15- 100kHz, fV: 24 - 120Hz, dot clock: 20 - 162 MHz
	YPbPr (YCbCr)	525i (480i): fH 15.75 kHz; fV 60 Hz, 625i (576i): fH 15.63 kHz; fV 50 Hz, 525p (480p): fH 31.50 kHz; fV 60 Hz, 625p (576p): fH 31.25 kHz; fV 50 Hz, 750 (720)/60p: fH 45.00 kHz; fV 60 Hz, 750 (720)/50p: fH 37.50 kHz; fV 50 Hz, 1125 (1035)/60i: fH 33.75 kHz; fV 60 Hz, 1125 (1080)/60i: fH 33.75 kHz; fV 60 Hz, 1125 (1080)/50i: fH 28.13 kHz; fV 50 Hz, 1125 (1080)/25p: fH 28.13 kHz; fV 25 Hz, 1125 (1080)/24p: fH 27.00 kHz; fV 24 Hz, 1125 (1080)/24sF: fH 27.00 kHz; fV 48 Hz, 1125 (1080)/30p: fH 33.75 kHz; fV 30 Hz, 1125 (1080)/60p: fH 67.50 kHz; fV 60 Hz, 1125 (1080)/50p: fH 56.25 kHz; fV 50 Hz
	Video/S-Video	fH: 15.75 kHz, fV: 60 Hz [NTSC/NTSC4.43/PAL-M/PAL60] fH: 15.63 kHz, fV: 50 Hz [PAL/PAL-N/SECAM]

Optical axis shift		Vertical: +50%, -16%(powered), Horizontal: +30%, -10%(When using the ET-DLE085, +28%, -10%)
Keystone correction range		Vertical : ±40°*5 / Horizontal: ±15°*6 (When using the optional upgrade kit ET-UK20 Vertical : ±45°*8/10 / Horizontal : ±40°*9/10)
Installation		Ceiling/floor, front/rear, 360 degree free installation
Terminals	SDI IN	BNC × 1, 3G-SDI signal: SMPTE ST 424 compliant HD-SDI signal: SMPTE ST 292 compliant SD-SDI signal: SMPTE ST 259 compliant
	HDMI IN	HDMI 19-pin × 1, Deep Color, compatible with HDCP, 525i (480i), 625i (576i), 525p (480p), 625p (576p), 750 (720)/60p, 750 (720)/50p, 1125 (1080)/60i, 1125 (1080)/50i, 1125 (1080)/25p, 1125 (1080)/24p, 1125 (1080)/24sF, 1125 (1080)/30p, 1125 (1080)/60p, 1125 (1080)/50p VGA (640 x 480) - WUXGA (1920 x 1200) compatible with non-interlaced signals only <b>NOTE: Compatible with non-interlaced signals only.</b>
	DVI-D IN	DVI-D 24-pin x 1, DVI 1.0 compliant, compatible with HDCP, for single link only 525i (480i), 625i (576i), 525p (480p), 625p (576p), 750 (720)/60p, 750 (720)/50p, 1125 (1080)/60i, 1125 (1080)/50i, 1125 (1080)/25p, 1125 (1080)/24p, 1125 (1080)/24sF, 1125 (1080)/30p, 1125 (1080)/60p, 1125 (1080)/50p VGA (640 x 480) - WUXGA (1920 x 1200) compatible with non-interlaced signals only <b>NOTE: Compatible with non-interlaced signals only.</b>
	RGB 1 IN R, G, B	BNC × 5 R: 0.7 Vp-p, 75 ohms, G: 0.7 Vp-p (G: 1.0 Vp-p for sync on G), 75 ohms, B: 0.7 Vp-p, 75 ohms HD, VD/SYNC: TTL, high impedance, positive/negative automatic <b>NOTE: SYNC/HD and VD terminals do not accept tri-level sync signals.</b>
	Y, PB, PR (Y, CB, CR) Y,C Video	Y: 1.0 Vp-p (including sync signal), PB/PR (CB/CR): 0.7 Vp-p, 75 ohms Y: 1.0 Vp-p, C: 0.286 Vp-p, 75 ohms 1.0Vp-p, 75 ohms
	RGB 2 IN R, G, B	D-sub HD 15-pin (female) × 1 R: 0.7 Vp-p, 75 ohms, G: 0.7 Vp-p (G: 1.0 Vp-p for sync on G), 75 ohms, B: 0.7 Vp-p, 75 ohms HD, VD/SYNC: TTL, high impedance, positive/negative automatic <b>NOTE: SYNC/HD and VD terminals do not accept tri-level sync signals.</b>
	Y, PB, PR (Y, CB, CR)	Y: 1.0 Vp-p (including sync signal), PB/PR (CB/CR): 0.7 Vp-p, 75 ohms
	SERIAL IN	D-sub 9-pin (female) × 1 for external control (RS-232C compliant)
	SERIAL OUT	D-sub 9-pin (male) × 1 for link control
	REMOTE 1 IN	M3 jack x 1 for wired remote control
	REMOTE 1 OUT	M3 jack x 1 for link control (for wired remote control)
	REMOTE 2 IN	D-sub 9-pin (female) x1 for external control (parallel)
	LAN/DIGITAL LINK	RJ-45 x 1 for network and DIGITAL LINK (video/network/serial control) connection, 100Base-TX, compatible with Art-Net, compliant with PLink(TM)(Class 1)

Power cord length		3.0 m (9 ft 10 in)
Cabinet materials		Molded plastic
Dimensions (W × H × D)	PT-RZ670B/RZ670W	498 x 200* <sup>11</sup> x 581mm (19-19/32 x 7-7/8* <sup>11</sup> x 22-7/8in ) with supplied lens
	PT-RZ670LB/RZ670LW	498 x 200* <sup>11</sup> x 538 mm (19-19/32 x 7-7/8* <sup>11</sup> x 21-3/16in) without lens
Weight	PT-RZ670B/RZ670W	Approx. 23.2kg (51.1lbs) with supplied lens
	PT-RZ670LB/RZ670LW	Approx. 22.5kg (49.6lbs) without lens
Operation noise		35 dB
Operating temperature		0–45 °C (32–113 °F)* <sup>13</sup>
Operating humidity		10%–80% (no condensation)

**Remote control unit**

Power supply		3 V DC (R03/AAA type battery × 2)
Operation range		Approx. 30 m (98 ft 5 in) when operated from directly in front of the signal receptor
Dimensions (W × H × D)		48 × 145 × 27 mm (1-57/64 × 5-45/64 × 1-3/64 in)
Weight* <sup>12</sup>		Approx. 102 g (3.6 oz) including batteries

**Supplied accessories**

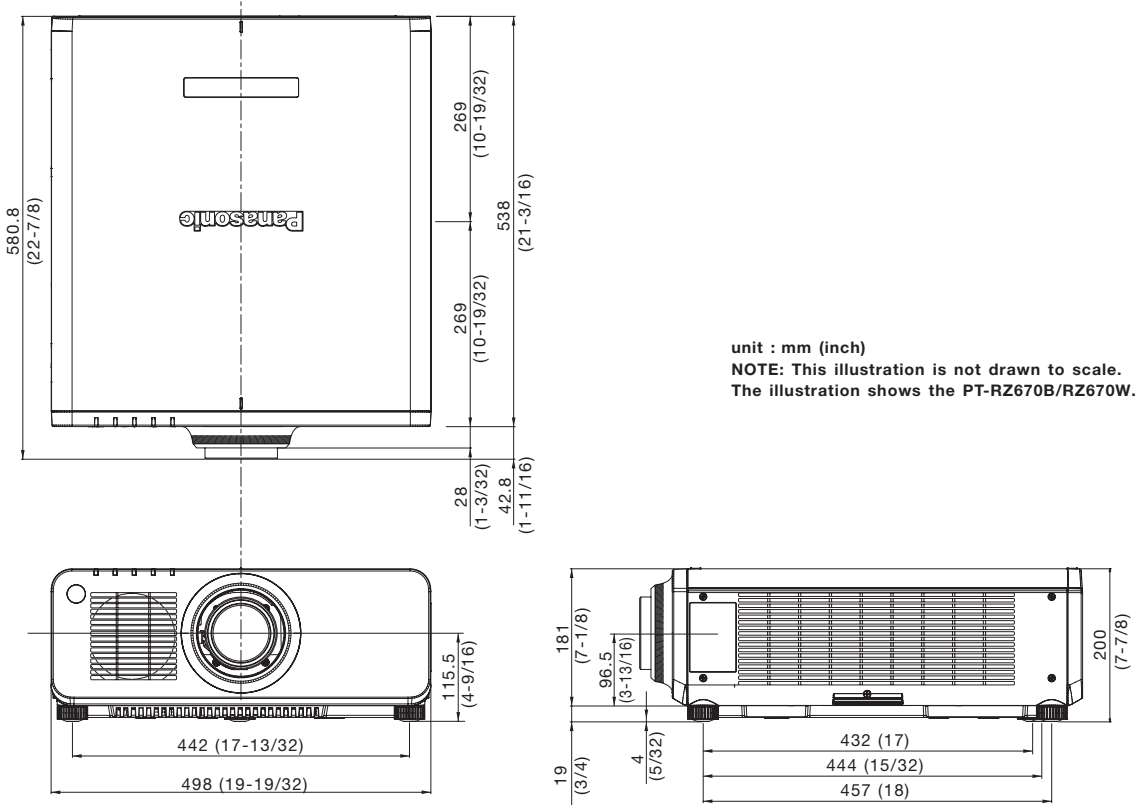
- Power cord with secure lock (x 1) (x 2 for EU models)
- Wireless/wired remote control unit (x 1)
- Batteries for remote control (R03/AAA type × 2)
- Software CD-ROM (Logo Transfer Software, Multi Projector Monitoring & Control Software) (x 1)

**Optional accessories**

Digital interface box	ET-YFB100G
Zoom lens (0.8–1.0:1)	ET-DLE085
Zoom lens (1.3–1.9:1)	ET-DLE150
Zoom lens (2.3–3.6:1)	ET-DLE250
Zoom lens (3.6–5.4:1)	ET-DLE350
Zoom lens (5.4–8.6:1)	ET-DLE450
Fixed-focus lens (0.38:1)	ET-DLE030
Fixed-focus lens (0.8:1)	ET-DLE055
Ceiling mount bracket	ET-PKD120H (for high ceilings) ET-PKD120S (for low ceilings)
High-ceiling mount bracket (6-axis adjustment mechanism)	ET-PKD130H
Attachment for ceiling mount bracket	ET-PKD130B
Geometry Manager Pro Upgrade kit	ET-UK20
Auto Screen Adjustment Upgrade kit	ET-CUK10* <sup>14</sup>
Early Warning Software	ET-SWA100

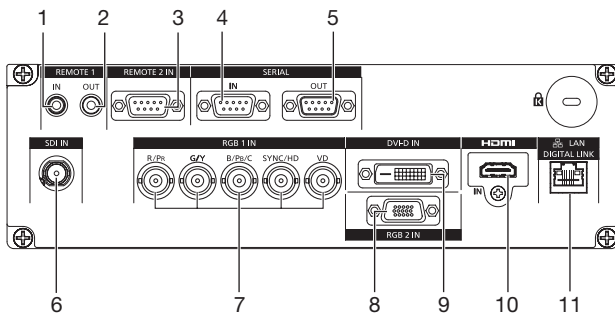
\*1 When the STANDBY MODE is set to Eco, network functions such as power on over the LAN will not operate  
 \*2 Measurement, measuring conditions, and method of notation all comply with ISO 21118 international standards  
 \*3 Only compatible with dot clock frequency of 27 MHz (pixel repetition signal)  
 \*4 WUXGA resolution is supported only when the signals are compliant with VESA CVT-RB (Coordinated Video Timing-Reduced Blanking)  
 \*5 +/- 22° with the ET-DLE085/DLE055 and +5° with the ET-DLE030  
 \*6 Not operatable with the ET-DLE030  
 \*7 +/-30° with the ET-DLE085/DLE055  
 \*8 +/-40° with the ET-DLE150/DLE250/supplied lens and +/-22° with the ET-DLE085/DLE055  
 \*9 +/-15° with the ET-DLE085/DLE055  
 \*10 up to a total of +/-55° during simultaneous horizontal and vertical correction  
 \*11 with legs at shortest position  
 \*12 Average value. May differ depending on models  
 \*13 Limits the luminance when used in locations from 0m to 2700m (0ft to 8858ft) above sea level at ambient temperatures of 35°C (95°F) or higher, or from 2700m to 4200m (8858ft to 13780ft) above sea level at ambient temperatures of 25°C (77°F) or higher.  
 \*14 Available for use worldwide except in the US.

**Dimensions**



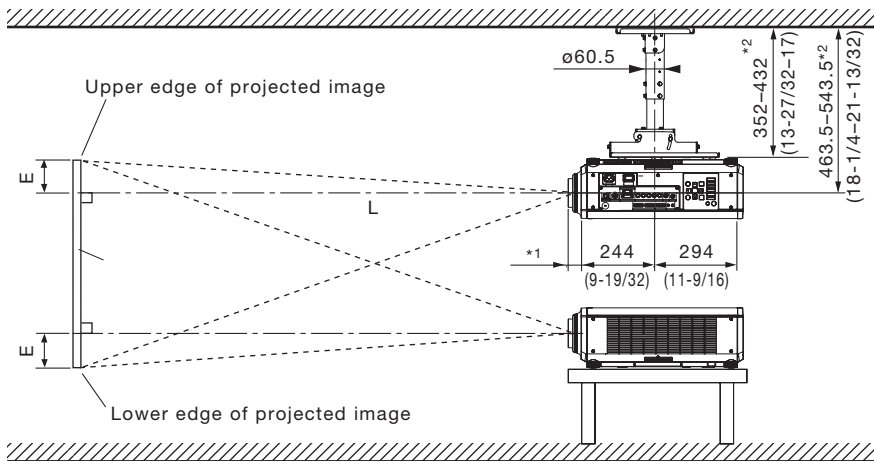
unit : mm (inch)  
 NOTE: This illustration is not drawn to scale.  
 The illustration shows the PT-RZ670B/RZ670W.

**Terminals**



- 1 Remote 1 input
- 2 Remote 1 output
- 3 Remote 2 input
- 4 Serial input
- 5 Serial output
- 6 SDI input
- 7 RGB 1 input
- 8 RGB 2 Input
- 9 DVI-D input
- 10 HDMI input
- 11 LAN/DIGITAL LINK connector

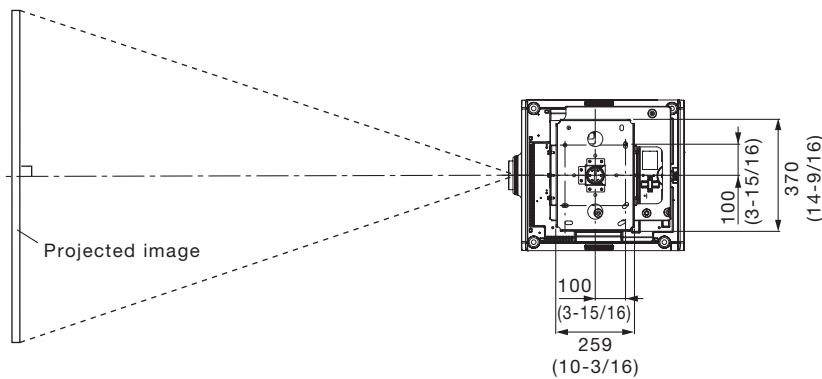
Standard setting-up position (If using other than the ET-DLE030)



\*1 When the lens protrudes to the maximum.  
 84 mm (3-5/16 in) with the ET-DLE085  
 43 mm (1-11/16 in) with the supplied lens  
 44 mm (1-23/32 in) with the ET-DLE150  
 45 mm (1-25/32 in) with the ET-DLE250  
 51 mm (2 in) with the ET-DLE350  
 95 mm (3-3/4 in) with the ET-DLE450  
 27 mm (1-1/16 in) with the ET-DLE055

\*2 Adjustable in 40 mm (1-9/16 in) steps.

unit : mm (inch)



NOTE:

Illustrations show the projector installed using optional ceiling mount bracket ET-PKD120H, optional bracket assembly ET-PKD130B and an optional lens.

This illustration is not drawn to scale.

Caution:

- All construction work should be done by a qualified technician.
- When mounting to the ceiling, use the special mounting bracket. Furthermore, in order to prevent it from falling down from the ceiling, use the supplied wire on the mounting bracket.

Projection distance for 16:10 aspect ratio screen (If using other than the ET-DLE030)

**Unit: meters**

Screen size (diagonal)		Distance to screen (L)												Height from the edge of screen to center of lens (H)		
		Zoom											Fixed-focus			
		ET-DLE085 Zoom lens		ET-DLE150 Zoom lens		<i>Supplied lens</i>		ET-DLE250 Zoom lens		ET-DLE350 Zoom lens		ET-DLE450 Zoom lens				ET-DLE055 Fixed-focus lens
[m]	[in]	min.	max.	min.	max.	<i>min.</i>	<i>max.</i>	min.	max.	min.	max.	min.	max.		Zoom lenses	Fixed- focus lens
1.27/	50	0.83	1.04	1.38	2.01	<b>1.82</b>	<b>2.57</b>	2.42	3.87	3.80	5.82	5.66	9.12	0.83	0.00 – 0.34	0.34
1.52/	60	1.00	1.25	1.66	2.43	<b>2.20</b>	<b>3.10</b>	2.92	4.65	4.59	7.00	6.85	11.01	1.00	0.00 – 0.40	0.40
1.78/	70	1.17	1.47	1.95	2.84	<b>2.58</b>	<b>3.63</b>	3.42	5.44	5.38	8.19	8.04	12.89	1.18	0.00 – 0.47	0.47
2.03/	80	1.35	1.68	2.23	3.25	<b>2.95</b>	<b>4.16</b>	3.92	6.23	6.16	9.38	9.24	14.78	1.35	0.00 – 0.54	0.54
2.29/	90	1.52	1.90	2.52	3.66	<b>3.33</b>	<b>4.69</b>	4.42	7.02	6.95	10.57	10.43	16.66	1.53	0.00 – 0.61	0.61
2.54/	100	1.70	2.11	2.81	4.08	<b>3.71</b>	<b>5.21</b>	4.92	7.81	7.74	11.76	11.62	18.55	1.70	0.00 – 0.67	0.67
3.05/	120	2.05	2.55	3.38	4.90	<b>4.47</b>	<b>6.27</b>	5.91	9.39	9.31	14.14	14.00	22.32	2.05	0.00 – 0.81	0.81
3.81/	150	2.57	3.19	4.24	6.14	<b>5.61</b>	<b>7.86</b>	7.41	11.75	11.68	17.71	17.58	27.97	2.58	0.00 – 1.01	1.01
5.08/	200	3.44	4.27	5.67	8.20	<b>7.50</b>	<b>10.50</b>	9.91	15.70	15.61	23.66	23.54	37.39	3.45	0.00 – 1.35	1.35
6.35/	250	4.31	5.35	7.10	10.26	<b>9.39</b>	<b>13.15</b>	12.41	19.64	19.55	29.61	29.50	46.81	–	0.00 – 1.68	–
7.62/	300	5.18	6.43	8.53	12.33	<b>11.28</b>	<b>15.79</b>	14.91	23.59	23.49	35.56	35.46	56.24	–	0.00 – 2.02	–
10.16/	400	6.93	8.59	11.39	16.45	<b>15.07</b>	<b>21.08</b>	19.90	31.48	31.36	47.46	47.38	75.08	–	0.00 – 2.69	–
12.70/	500	8.67	10.75	14.25	20.58	<b>18.86</b>	<b>26.36</b>	24.90	39.37	39.24	59.36	59.30	93.93	–	0.00 – 3.37	–
15.24/	600	10.42	12.91	17.11	24.70	<b>22.64</b>	<b>31.65</b>	29.89	47.26	47.11	71.26	71.22	112.77	–	0.00 – 4.04	–

**Unit: feet**

Screen size (diagonal)		Distance to screen (L)												Height from the edge of screen to center of lens (H)		
		Zoom											Fixed-focus			
		ET-DLE085 Zoom lens		ET-DLE150 Zoom lens		<i>Supplied lens</i>		ET-DLE250 Zoom lens		ET-DLE350 Zoom lens		ET-DLE450 Zoom lens				ET-DLE055 Fixed-focus lens
[m]	[in]	min.	max.	min.	max.	<i>min.</i>	<i>max.</i>	min.	max.	min.	max.	min.	max.		Zoom lenses	Fixed- focus lens
1.27/	50	2.7	3.4	4.5	6.6	<b>6.0</b>	<b>8.4</b>	7.9	12.7	12.5	19.1	18.6	29.9	2.7	0.0 – 1.1	1.1
1.52/	60	3.3	4.1	5.5	8.0	<b>7.2</b>	<b>10.2</b>	9.6	15.3	15.1	23.0	22.5	36.1	3.3	0.0 – 1.3	1.3
1.78/	70	3.9	4.8	6.4	9.3	<b>8.5</b>	<b>11.9</b>	11.2	17.9	17.6	26.9	26.4	42.3	3.9	0.0 – 1.6	1.6
2.03/	80	4.4	5.5	7.3	10.7	<b>9.7</b>	<b>13.6</b>	12.8	20.4	20.2	30.8	30.3	48.5	4.4	0.0 – 1.8	1.8
2.29/	90	5.0	6.2	8.3	12.0	<b>10.9</b>	<b>15.4</b>	14.5	23.0	22.8	34.7	34.2	54.7	5.0	0.0 – 2.0	2.0
2.54/	100	5.6	6.9	9.2	13.4	<b>12.2</b>	<b>17.1</b>	16.1	25.6	25.4	38.6	38.1	60.8	5.6	0.0 – 2.2	2.2
3.05/	120	6.7	8.4	11.1	16.1	<b>14.7</b>	<b>20.6</b>	19.4	30.8	30.6	46.4	45.9	73.2	6.7	0.0 – 2.7	2.7
3.81/	150	8.4	10.5	13.9	20.1	<b>18.4</b>	<b>25.8</b>	24.3	38.6	38.3	58.1	57.7	91.8	8.5	0.0 – 3.3	3.3
5.08/	200	11.3	14.0	18.6	26.9	<b>24.6</b>	<b>34.5</b>	32.5	51.5	51.2	77.6	77.2	122.7	11.3	0.0 – 4.4	4.4
6.35/	250	14.1	17.6	23.3	33.7	<b>30.8</b>	<b>43.1</b>	40.7	64.4	64.1	97.1	96.8	153.6	–	0.0 – 5.5	–
7.62/	300	17.0	21.1	28.0	40.4	<b>37.0</b>	<b>51.8</b>	48.9	77.4	77.1	116.7	116.3	184.5	–	0.0 – 6.6	–
10.16/	400	22.7	28.2	37.4	54.0	<b>49.4</b>	<b>69.1</b>	65.3	103.3	102.9	155.7	155.4	246.3	–	0.0 – 8.8	–
12.70/	500	28.5	35.3	46.7	67.5	<b>61.9</b>	<b>86.5</b>	81.7	129.2	128.7	194.7	194.6	308.2	–	0.0 – 11.0	–
15.24/	600	34.2	42.3	56.1	81.0	<b>74.3</b>	<b>103.8</b>	98.1	155.0	154.6	233.8	233.7	370.0	–	0.0 – 13.3	–

- The value for L (distance to screen) varies slightly within ±5% depending on the zoom lens characteristics.
- The zoom lens characteristics may cause slight image distortion.
- When vertical keystone correction is used, the image is corrected in the direction that reduces its projected size.
- The brightness varies depending on the zoom setting.

Note: When the ET-DLE055 is mounted, the optical lens shift function cannot be used.

Projection distance for 16:9 aspect ratio screen (If using other than the ET-DLE030)

**Unit: meters**

Screen size (diagonal)		Distance to screen (L)												Height from the edge of screen to center of lens (H)			
		Zoom											Fixed-focus	Zoom lenses	Fixed- focus lens		
		ET-DLE085 Zoom lens		ET-DLE150 Zoom lens		<i>Supplied lens</i>		ET-DLE250 Zoom lens		ET-DLE350 Zoom lens		ET-DLE450 Zoom lens				ET-DLE055 Fixed-focus lens	
[m]	[in]	min.	max.	min.	max.	<i>min.</i>	<i>max.</i>	min.	max.	min.	max.	min.	max.				
1.27/	50	0.85	1.07	1.42	2.07	<b>1.87</b>	<b>2.64</b>	2.49	3.98	3.91	5.98	5.82	9.39	0.85	-0.06	-0.31	0.31
1.52/	60	1.03	1.29	1.71	2.49	<b>2.26</b>	<b>3.19</b>	3.00	4.79	4.72	7.20	7.05	11.32	1.03	-0.08	-0.37	0.37
1.78/	70	1.21	1.51	2.00	2.92	<b>2.65</b>	<b>3.73</b>	3.51	5.60	5.53	8.43	8.28	13.26	1.21	-0.09	-0.44	0.44
2.03/	80	1.39	1.73	2.30	3.34	<b>3.04</b>	<b>4.28</b>	4.03	6.41	6.34	9.65	9.50	15.20	1.39	-0.10	-0.50	0.50
2.29/	90	1.57	1.95	2.59	3.77	<b>3.43</b>	<b>4.82</b>	4.54	7.22	7.15	10.87	10.73	17.13	1.57	-0.11	-0.56	0.56
2.54/	100	1.75	2.17	2.89	4.19	<b>3.82</b>	<b>5.36</b>	5.05	8.03	7.96	12.09	11.95	19.07	1.75	-0.13	-0.62	0.62
3.05/	120	2.10	2.62	3.47	5.04	<b>4.60</b>	<b>6.45</b>	6.08	9.65	9.58	14.54	14.40	22.94	2.11	-0.15	-0.75	0.75
3.81/	150	2.64	3.28	4.36	6.31	<b>5.76</b>	<b>8.08</b>	7.62	12.08	12.00	18.21	18.08	28.75	2.65	-0.19	-0.93	0.93
5.08/	200	3.54	4.39	5.83	8.43	<b>7.71</b>	<b>10.80</b>	10.19	16.14	16.05	24.32	24.20	38.44	3.55	-0.25	-1.25	1.25
6.35/	250	4.43	5.50	7.29	10.55	<b>9.65</b>	<b>13.51</b>	12.76	20.19	20.10	30.44	30.33	48.12	-	-0.31	-1.56	-
7.62/	300	5.33	6.61	8.76	12.67	<b>11.60</b>	<b>16.23</b>	15.32	24.25	24.14	36.55	36.45	57.81	-	-0.37	-1.87	-
10.16/	400	7.12	8.83	11.70	16.91	<b>15.49</b>	<b>21.66</b>	20.46	32.35	32.24	48.78	48.71	77.18	-	-0.50	-2.49	-
12.70/	500	8.91	11.05	14.64	21.15	<b>19.38</b>	<b>27.10</b>	25.59	40.46	40.33	61.01	60.96	96.55	-	-0.62	-3.11	-
15.24/	600	10.71	13.27	17.58	25.39	<b>23.27</b>	<b>32.53</b>	30.72	48.57	48.42	73.24	73.21	115.92	-	-0.75	-3.74	-

**Unit: feet**

Screen size (diagonal)		Distance to screen (L)												Height from the edge of screen to center of lens (H)			
		Zoom											Fixed-focus	Zoom lenses	Fixed- focus lens		
		ET-DLE085 Zoom lens		ET-DLE150 Zoom lens		<i>Supplied lens</i>		ET-DLE250 Zoom lens		ET-DLE350 Zoom lens		ET-DLE450 Zoom lens				ET-DLE055 Fixed-focus lens	
[m]	[in]	min.	max.	min.	max.	<i>min.</i>	<i>max.</i>	min.	max.	min.	max.	min.	max.				
1.27/	50	2.8	3.5	4.6	6.8	<b>6.1</b>	<b>8.7</b>	8.2	13.0	12.8	19.6	19.1	30.8	2.8	-0.2	- 1.0	1.0
1.52/	60	3.4	4.2	5.6	8.2	<b>7.4</b>	<b>10.5</b>	9.8	15.7	15.5	23.6	23.1	37.1	3.4	-0.3	- 1.2	1.2
1.78/	70	4.0	5.0	6.6	9.6	<b>8.7</b>	<b>12.2</b>	11.5	18.4	18.1	27.6	27.1	43.5	4.0	-0.3	- 1.4	1.4
2.03/	80	4.6	5.7	7.5	11.0	<b>10.0</b>	<b>14.0</b>	13.2	21.0	20.8	31.7	31.2	49.9	4.6	-0.3	- 1.6	1.6
2.29/	90	5.1	6.4	8.5	12.4	<b>11.2</b>	<b>15.8</b>	14.9	23.7	23.5	35.7	35.2	56.2	5.2	-0.4	- 1.8	1.8
2.54/	100	5.7	7.1	9.5	13.8	<b>12.5</b>	<b>17.6</b>	16.6	26.3	26.1	39.7	39.2	62.6	5.7	-0.4	- 2.0	2.0
3.05/	120	6.9	8.6	11.4	16.5	<b>15.1</b>	<b>21.2</b>	20.0	31.7	31.4	47.7	47.2	75.3	6.9	-0.5	- 2.5	2.5
3.81/	150	8.7	10.8	14.3	20.7	<b>18.9</b>	<b>26.5</b>	25.0	39.6	39.4	59.7	59.3	94.3	8.7	-0.6	- 3.1	3.1
5.08/	200	11.6	14.4	19.1	27.7	<b>25.3</b>	<b>35.4</b>	33.4	52.9	52.7	79.8	79.4	126.1	11.7	-0.8	- 4.1	4.1
6.35/	250	14.5	18.1	23.9	34.6	<b>31.7</b>	<b>44.3</b>	41.8	66.2	65.9	99.9	99.5	157.9	-	-1.0	- 5.1	-
7.62/	300	17.5	21.7	28.8	41.6	<b>38.1</b>	<b>53.2</b>	50.3	79.5	79.2	119.9	119.6	189.7	-	-1.2	- 6.1	-
10.16/	400	23.4	29.0	38.4	55.5	<b>50.8</b>	<b>71.1</b>	67.1	106.1	105.8	160.0	159.8	253.2	-	-1.6	- 8.2	-
12.70/	500	29.2	36.3	48.0	69.4	<b>63.6</b>	<b>88.9</b>	84.0	132.7	132.3	200.2	200.0	316.8	-	-2.0	-10.2	-
15.24/	600	35.1	43.5	57.7	83.3	<b>76.4</b>	<b>106.7</b>	100.8	159.4	158.9	240.3	240.2	380.3	-	-2.5	-12.3	-

- The value for L (distance to screen) varies slightly within ±5% depending on the zoom lens characteristics.
- The zoom lens characteristics may cause slight image distortion.
- When vertical keystone correction is used, the image is corrected in the direction that reduces its projected size.
- The brightness varies depending on the zoom setting.

Note: When the ET-DLE055 is mounted, the optical lens shift function cannot be used.



Projection distance for 4:3 aspect ratio screen (If using other than the ET-DLE030)

**Unit: meters**

Screen size (diagonal)		Distance to screen (L)												Height from the edge of screen to center of lens (H)			
		Zoom										Fixed-focus					
		ET-DLE085 Zoom lens		ET-DLE150 Zoom lens		<i>Supplied lens</i>		ET-DLE250 Zoom lens		ET-DLE350 Zoom lens		ET-DLE450 Zoom lens		ET-DLE055 Fixed-focus lens	Zoom lenses	Fixed- focus lens	
[m]	[in]	min.	max.	min.	max.	<i>min.</i>	<i>max.</i>	min.	max.	min.	max.	min.	max.				
1.27/	50	0.94	1.18	1.57	2.29	<b>2.07</b>	<b>2.92</b>	2.75	4.39	4.32	6.60	6.45	10.37	0.94	0.00	-0.38	0.38
1.52/	60	1.14	1.42	1.89	2.75	<b>2.50</b>	<b>3.52</b>	3.31	5.28	5.21	7.95	7.80	12.50	1.14	0.00	-0.46	0.46
1.78/	70	1.34	1.67	2.21	3.22	<b>2.93</b>	<b>4.12</b>	3.88	6.17	6.11	9.29	9.15	14.64	1.34	0.00	-0.53	0.53
2.03/	80	1.53	1.91	2.54	3.69	<b>3.35</b>	<b>4.72</b>	4.44	7.07	7.00	10.64	10.49	16.77	1.54	0.00	-0.61	0.61
2.29/	90	1.73	2.16	2.86	4.15	<b>3.78</b>	<b>5.31</b>	5.01	7.96	7.89	11.99	11.84	18.90	1.74	0.00	-0.69	0.69
2.54/	100	1.93	2.40	3.18	4.62	<b>4.21</b>	<b>5.91</b>	5.58	8.85	8.78	13.34	13.19	21.04	1.93	0.00	-0.76	0.76
3.05/	120	2.32	2.89	3.83	5.56	<b>5.07</b>	<b>7.11</b>	6.71	10.64	10.56	16.03	15.89	25.30	2.33	0.00	-0.91	0.91
3.81/	150	2.91	3.62	4.80	6.96	<b>6.36</b>	<b>8.91</b>	8.40	13.32	13.24	20.07	19.94	31.70	2.93	0.00	-1.14	1.14
5.08/	200	3.90	4.84	6.42	9.29	<b>8.50</b>	<b>11.90</b>	11.23	17.78	17.69	26.81	26.69	42.37	3.92	0.00	-1.52	1.52
6.35/	250	4.89	6.07	8.04	11.63	<b>10.64</b>	<b>14.89</b>	14.06	22.25	22.15	33.54	33.44	53.04	-	0.00	-1.91	-
7.62/	300	5.88	7.29	9.66	13.96	<b>12.78</b>	<b>17.88</b>	16.88	26.71	26.61	40.28	40.18	63.70	-	0.00	-2.29	-
10.16/	400	7.85	9.73	12.90	18.63	<b>17.07</b>	<b>23.87</b>	22.54	35.65	35.52	53.74	53.68	85.04	-	0.00	-3.05	-
12.70/	500	9.82	12.17	16.13	23.30	<b>21.36</b>	<b>29.85</b>	28.19	44.58	44.44	67.21	67.17	106.37	-	0.00	-3.81	-
15.24/	600	11.80	14.62	19.37	27.97	<b>25.64</b>	<b>35.84</b>	33.85	53.51	53.35	80.68	80.67	127.71	-	0.00	-4.57	-

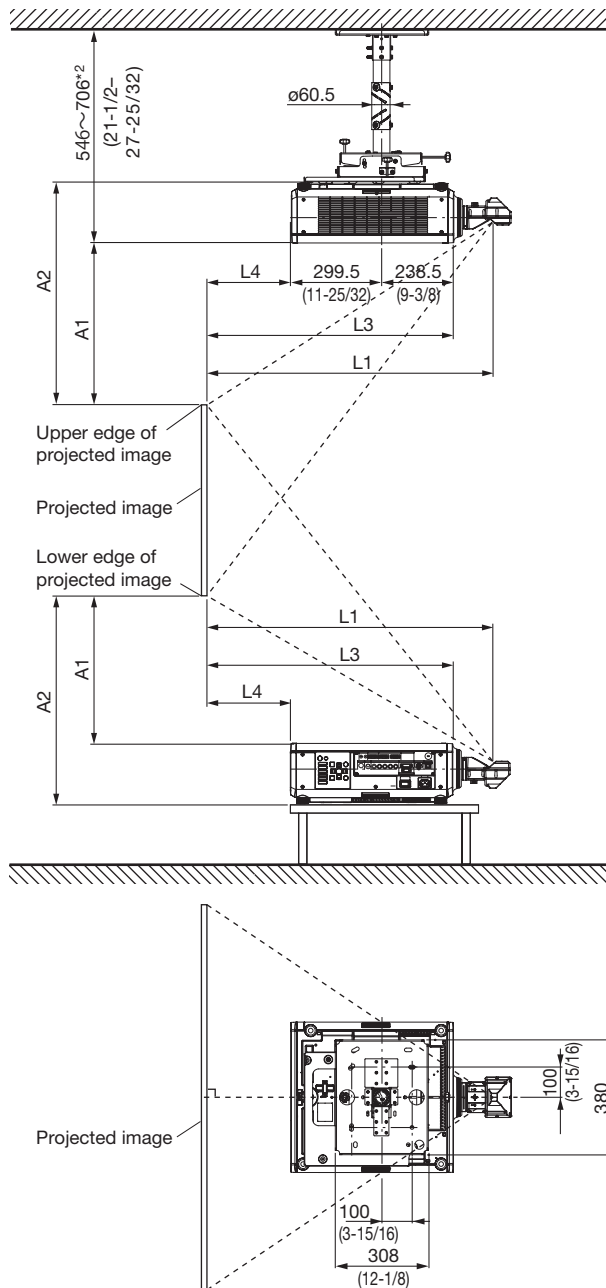
**Unit: feet**

Screen size (diagonal)		Distance to screen (L)												Height from the edge of screen to center of lens (H)			
		Zoom										Fixed-focus					
		ET-DLE085 Zoom lens		ET-DLE150 Zoom lens		<i>Supplied lens</i>		ET-DLE250 Zoom lens		ET-DLE350 Zoom lens		ET-DLE450 Zoom lens		ET-DLE055 Fixed-focus lens	Zoom lenses	Fixed- focus lens	
[m]	[in]	min.	max.	min.	max.	<i>min.</i>	<i>max.</i>	min.	max.	min.	max.	min.	max.				
1.27/	50	3.1	3.9	5.1	7.5	<b>6.8</b>	<b>9.6</b>	9.0	14.4	14.2	21.7	21.1	34.0	3.1	0.0	- 1.3	1.3
1.52/	60	3.7	4.7	6.2	9.0	<b>8.2</b>	<b>11.5</b>	10.9	17.3	17.1	26.1	25.6	41.0	3.7	0.0	- 1.5	1.5
1.78/	70	4.4	5.5	7.3	10.6	<b>9.6</b>	<b>13.5</b>	12.7	20.3	20.0	30.5	30.0	48.0	4.4	0.0	- 1.8	1.8
2.03/	80	5.0	6.3	8.3	12.1	<b>11.0</b>	<b>15.5</b>	14.6	23.2	23.0	34.9	34.4	55.0	5.0	0.0	- 2.0	2.0
2.29/	90	5.7	7.1	9.4	13.6	<b>12.4</b>	<b>17.4</b>	16.4	26.1	25.9	39.3	38.9	62.0	5.7	0.0	- 2.3	2.3
2.54/	100	6.3	7.9	10.4	15.2	<b>13.8</b>	<b>19.4</b>	18.3	29.0	28.8	43.8	43.3	69.0	6.3	0.0	- 2.5	2.5
3.05/	120	7.6	9.5	12.6	18.2	<b>16.6</b>	<b>23.3</b>	22.0	34.9	34.7	52.6	52.1	83.0	7.6	0.0	- 3.0	3.0
3.81/	150	9.6	11.9	15.8	22.8	<b>20.8</b>	<b>29.2</b>	27.6	43.7	43.4	65.8	65.4	104.0	9.6	0.0	- 3.8	3.8
5.08/	200	12.8	15.9	21.1	30.5	<b>27.9</b>	<b>39.0</b>	36.8	58.3	58.0	87.9	87.6	139.0	12.8	0.0	- 5.0	5.0
6.35/	250	16.0	19.9	26.4	38.1	<b>34.9</b>	<b>48.9</b>	46.1	73.0	72.7	110.0	109.7	174.0	-	0.0	- 6.3	-
7.62/	300	19.3	23.9	31.7	45.8	<b>41.9</b>	<b>58.7</b>	55.4	87.6	87.3	132.1	131.8	209.0	-	0.0	- 7.5	-
10.16/	400	25.8	31.9	42.3	61.1	<b>56.0</b>	<b>78.3</b>	73.9	116.9	116.5	176.3	176.1	279.0	-	0.0	-10.0	-
12.70/	500	32.2	39.9	52.9	76.5	<b>70.1</b>	<b>97.9</b>	92.5	146.2	145.8	220.5	220.4	349.0	-	0.0	-12.5	-
15.24/	600	38.7	48.0	63.6	91.8	<b>84.1</b>	<b>117.6</b>	111.0	175.5	175.0	264.7	264.7	419.0	-	0.0	-15.0	-

- The value for L (distance to screen) varies slightly within ±5% depending on the zoom lens characteristics.
- The zoom lens characteristics may cause slight image distortion.
- When vertical keystone correction is used, the image is corrected in the direction that reduces its projected size.
- The brightness varies depending on the zoom setting.

Note: When the ET-DLE055 is mounted, the optical lens shift function cannot be used.

Standard setting-up position (If using the ET-DLE030)



- \*1 When the lens protrudes to the maximum.  
 84 mm (3-5/16 in) with the ET-DLE085  
 43 mm (1-11/16 in) with the supplied lens  
 44 mm (1-23/32 in) with the ET-DLE150  
 45 mm (1-25/32 in) with the ET-DLE250  
 51mm (2 in) with the ET-DLE350  
 95 mm (3-3/4 in) with the ET-DLE450  
 27 mm (1-1/16 in) with the ET-DLE055

\*2 Adjustable in 40 mm (1-9/16 in) steps.

unit : mm (inch)

NOTE:

Illustrations show the projector installed using optional ceiling mount bracket ET-PKD130H, optional bracket assembly ET-PKD130B and an optional lens. This illustration is not drawn to scale.

**Caution:**

- All construction work should be done by a qualified technician.
- When mounting to the ceiling, use the special mounting bracket. Furthermore, in order to prevent it from falling down from the ceiling, use the supplied wire on the mounting bracket.

Projection distance for 16:10 aspect ratio screen (If using the ET-DLE030)

Unit : meters

Ultra-short focal length lens ET-DLE030  
Close-up system dimensions

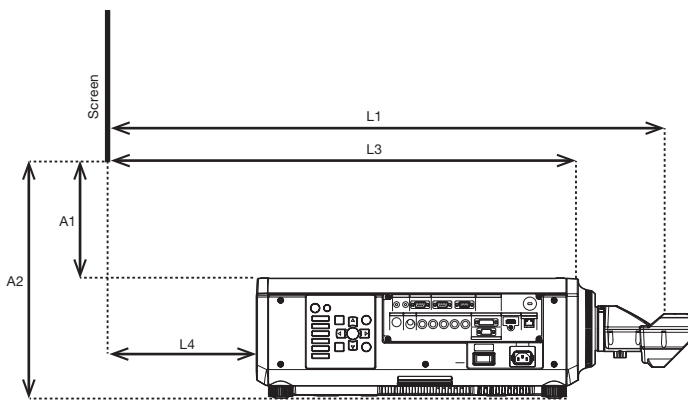
Throw ratio				0.38:1				
Diagonal image size (Inches)	Diagonal image size (m)	Height (SH)	Width (SW)	Projection distance (From mirror reflective surface to screen) (L1)	From front of set to screen (L3)	From rear of set to screen (L4)	From top of set to bottom edge of screen (A1)	From bottom of set to bottom edge of screen (A2)
100	2.54	1.35	2.15	0.82	0.65	0.12	0.43	0.63
120	3.05	1.62	2.59	0.98	0.82	0.28	0.53	0.73
150	3.81	2.02	3.23	1.23	1.06	0.52	0.68	0.88
200	5.08	2.69	4.31	1.63	1.47	0.93	0.93	1.13
250	6.35	3.37	5.39	2.04	1.87	1.34	1.18	1.38
300	7.62	4.04	6.46	2.45	2.28	1.74	1.43	1.63
350	8.89	4.71	7.54	2.85	2.69	2.15	1.69	1.89

Unit : feet

Ultra-short focal length lens ET-DLE030  
Close-up system dimensions

Throw ratio				0.38:1				
Diagonal image size (Inches)	Diagonal image size (m)	Height (SH)	Width (SW)	Projection distance (From mirror reflective surface to screen) (L1)	From front of set to screen (L3)	From rear of set to screen (L4)	From top of set to bottom edge of screen (A1)	From bottom of set to bottom edge of screen (A2)
100	2.54	4.4	7.1	2.7	2.1	0.4	1.4	2.1
120	3.05	5.3	8.5	3.2	2.7	0.9	1.7	2.4
150	3.81	6.6	10.6	4.0	3.5	1.7	2.2	2.9
200	5.08	8.8	14.1	5.4	4.8	3.0	3.1	3.7
250	6.35	11.0	17.7	6.7	6.1	4.4	3.9	4.5
300	7.62	13.3	21.2	8.0	7.5	5.7	4.7	5.4
350	8.89	15.5	24.7	9.4	8.8	7.1	5.5	6.2

- \* The value for L1 may contain an error of within ±5%.
- \* When using vertical keystone correction, the images will be corrected so that they will tend to be smaller than the specified screen size.
- \* This measurement is not the distance between the rear of the projector and the wall, but is instead the distance between the rear of the projector and the screen surface. Leave at least 500 mm of space between the rear of the projector and the wall and any other objects in order to provide adequate ventilation space. If setting up the projector in a closed room, be sure to provide separate air conditioning and ventilation equipment. If there is insufficient ventilation in the room, radiated heat may build up and cause the protection circuit of the projector to operate.



- L1: Projection distance (from screen to mirror reflective surface)
- L3: From screen to front of set
- L4: From screen to rear of set
- A1: From bottom edge of screen to top of set
- A2: From bottom edge of screen to bottom of set

Projection Distance Calculation Table

Screen aspect ratio 16:10

Projection distance calculation formula

$$L1 (m) = 0.3205 \times \text{Diagonal image size} + 0.0047$$

Calculation formula for distance from top of set to bottom edge of screen

$$A1 (m) = 0.1977 \times \text{Diagonal image size} - 0.07210$$

Projection distance for 16:9 aspect ratio screen (If using the ET-DLE030)

Unit : meters

Ultra-short focal length lens ET-DLE030  
Close-up system dimensions

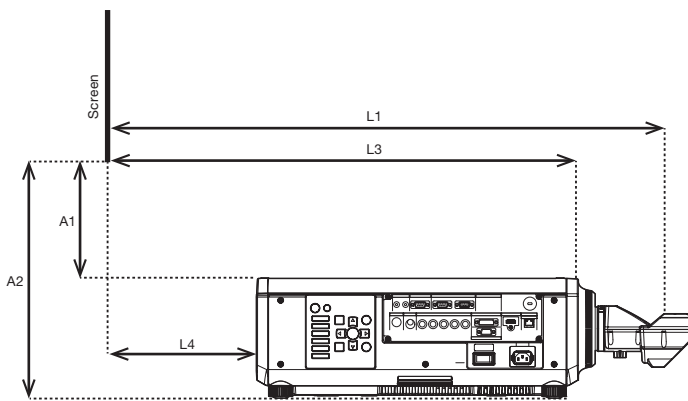
Throw ratio				0.38:1				
Diagonal image size (Inches)	Diagonal image size (m)	Height (SH)	Width (SW)	Projection distance (From mirror reflective surface to screen) (L1)	From front of set to screen (L3)	From rear of set to screen (L4)	From top of set to bottom edge of screen (A1)	From bottom of set to bottom edge of screen (A2)
100	2.54	1.25	2.21	0.84	0.68	0.14	0.51	0.71
120	3.05	1.49	2.66	1.01	0.84	0.31	0.63	0.83
150	3.81	1.87	3.32	1.26	1.09	0.56	0.81	1.01
200	5.08	2.49	4.43	1.68	1.51	0.97	1.10	1.30
250	6.35	3.11	5.54	2.10	1.93	1.39	1.39	1.59
300	7.62	3.74	6.64	2.52	2.35	1.81	1.68	1.88
350	8.89	4.36	7.75	2.93	2.77	2.23	1.98	2.18

Unit : feet

Ultra-short focal length lens ET-DLE030  
Close-up system dimensions

Throw ratio				0.38:1				
Diagonal image size (Inches)	Diagonal image size (m)	Height (SH)	Width (SW)	Projection distance (From mirror reflective surface to screen) (L1)	From front of set to screen (L3)	From rear of set to screen (L4)	From top of set to bottom edge of screen (A1)	From bottom of set to bottom edge of screen (A2)
100	2.54	4.1	7.3	2.8	2.2	0.4	1.7	2.3
120	3.05	4.9	8.7	3.3	2.8	1.0	2.1	2.7
150	3.81	6.1	10.9	4.1	3.6	1.8	2.6	3.3
200	5.08	8.2	14.5	5.5	5.0	3.2	3.6	4.3
250	6.35	10.2	18.2	6.9	6.3	4.6	4.6	5.2
300	7.62	12.3	21.8	8.3	7.7	5.9	5.5	6.2
350	8.89	14.3	25.4	9.6	9.1	7.3	6.5	7.1

- \* The value for L1 may contain an error of within ±5%.
- \* When using vertical keystone correction, the images will be corrected so that they will tend to be smaller than the specified screen size.
- \* This measurement is not the distance between the rear of the projector and the wall, but is instead the distance between the rear of the projector and the screen surface. Leave at least 500 mm of space between the rear of the projector and the wall and any other objects in order to provide adequate ventilation space. If setting up the projector in a closed room, be sure to provide separate air conditioning and ventilation equipment. If there is insufficient ventilation in the room, radiated heat may build up and cause the protection circuit of the projector to operate.



- L1: Projection distance (from screen to mirror reflective surface)
- L3: From screen to front of set
- L4: From screen to rear of set
- A1: From bottom edge of screen to top of set
- A2: From bottom edge of screen to bottom of set

Projection Distance Calculation Table

Screen aspect ratio 16:9

Projection distance calculation formula

$$L1 (m) = 0.3294 \times \text{Diagonal image size} + 0.0047$$

Calculation formula for distance from top of set to bottom edge of screen

$$A1 (m) = 0.2304 \times \text{Diagonal image size} - 0.07210$$

Projection distance for 4:3 aspect ratio screen (If using the ET-DLE030)

Unit : meters

Ultra-short focal length lens ET-DLE030  
Close-up system dimensions

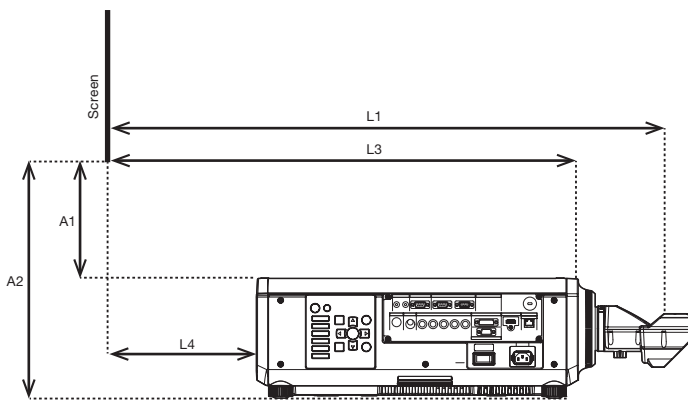
Throw ratio				0.46:1				
Diagonal image size (Inches)	Diagonal image size (m)	Height (SH)	Width (SW)	Projection distance (From mirror reflective surface to screen) (L1)	From front of set to screen (L3)	From rear of set to screen (L4)	From top of set to bottom edge of screen (A1)	From bottom of set to bottom edge of screen (A2)
100	2.54	1.52	2.03	0.93	0.76	0.22	0.50	0.70
120	3.05	1.83	2.44	1.11	0.94	0.41	0.61	0.81
150	3.81	2.29	3.05	1.39	1.22	0.68	0.78	0.98
200	5.08	3.05	4.06	1.85	1.68	1.14	1.07	1.27
250	6.35	3.81	5.08	2.31	2.14	1.60	1.35	1.55
300	7.62	4.57	6.10	2.77	2.60	2.07	1.63	1.83
350	8.89	5.33	7.11	3.23	3.06	2.53	1.92	2.12

Unit : feet

Ultra-short focal length lens ET-DLE030  
Close-up system dimensions

Throw ratio				0.46:1				
Diagonal image size (Inches)	Diagonal image size (m)	Height (SH)	Width (SW)	Projection distance (From mirror reflective surface to screen) (L1)	From front of set to screen (L3)	From rear of set to screen (L4)	From top of set to bottom edge of screen (A1)	From bottom of set to bottom edge of screen (A2)
100	2.54	5.0	6.7	3.0	2.5	0.7	1.6	2.3
120	3.05	6.0	8.0	3.6	3.1	1.3	2.0	2.7
150	3.81	7.5	10.0	4.6	4.0	2.2	2.6	3.2
200	5.08	10.0	13.3	6.1	5.5	3.8	3.5	4.2
250	6.35	12.5	16.7	7.6	7.0	5.3	4.4	5.1
300	7.62	15.0	20.0	9.1	8.5	6.8	5.4	6.0
350	8.89	17.5	23.3	10.6	10.1	8.3	6.3	6.9

- \* The value for L1 may contain an error of within ±5%.
- \* When using vertical keystone correction, the images will be corrected so that they will tend to be smaller than the specified screen size.
- \* This measurement is not the distance between the rear of the projector and the wall, but is instead the distance between the rear of the projector and the screen surface. Leave at least 500 mm of space between the rear of the projector and the wall and any other objects in order to provide adequate ventilation space. If setting up the projector in a closed room, be sure to provide separate air conditioning and ventilation equipment. If there is insufficient ventilation in the room, radiated heat may build up and cause the protection circuit of the projector to operate.



- L1: Projection distance (from screen to mirror reflective surface)
- L3: From screen to front of set
- L4: From screen to rear of set
- A1: From bottom edge of screen to top of set
- A2: From bottom edge of screen to bottom of set

Projection Distance Calculation Table

Screen aspect ratio 4:3

Projection distance calculation formula

$$L1 (m) = 0.3628 \times \text{Diagonal image size} + 0.0047$$

Calculation formula for distance from top of set to bottom edge of screen

$$A1 (m) = 0.2238 \times \text{Diagonal image size} - 0.07210$$

**Calculation of the projection distance**

For a screen size different from the above, use the equation below to calculate the projection distance.

**Aspect ratio 16:10**

ET-DLE085	minimum	$L (m) = (\text{diagonal screen size in inches}) \times 0.0174 - 0.0471$
	maximum	$L (m) = (\text{diagonal screen size in inches}) \times 0.0216 - 0.0442$
ET-DLE150	minimum	$L (m) = (\text{diagonal screen size in inches}) \times 0.0286 - 0.0540$
	maximum	$L (m) = (\text{diagonal screen size in inches}) \times 0.0413 - 0.0498$
<b>Supplied lens</b>	<b>minimum</b>	<b><math>L (m) = (\text{diagonal screen size in inches}) \times 0.0379 - 0.0746</math></b>
	<b>maximum</b>	<b><math>L (m) = (\text{diagonal screen size in inches}) \times 0.0529 - 0.0725</math></b>
ET-DLE250	minimum	$L (m) = (\text{diagonal screen size in inches}) \times 0.0500 - 0.0800$
	maximum	$L (m) = (\text{diagonal screen size in inches}) \times 0.0789 - 0.0792$
ET-DLE350	minimum	$L (m) = (\text{diagonal screen size in inches}) \times 0.0787 - 0.1351$
	maximum	$L (m) = (\text{diagonal screen size in inches}) \times 0.1190 - 0.1346$
ET-DLE450	minimum	$L (m) = (\text{diagonal screen size in inches}) \times 0.1192 - 0.3017$
	maximum	$L (m) = (\text{diagonal screen size in inches}) \times 0.1885 - 0.2991$
ET-DLE030	(fixed focus)	$L1 (m) = (\text{diagonal screen size in inches}) \times 0.0081 - 0.0047$ $L3 (m) = L1 - 0.166$ $L4 (m) = L1 - 0.704$
ET-DLE055	(fixed focus)	$L (m) = (\text{diagonal screen size in inches}) \times 0.0175 - 0.0476$

**Aspect ratio 16:9**

ET-DLE085	minimum	$L (m) = (\text{diagonal screen size in inches}) \times 0.0179 - 0.0471$
	maximum	$L (m) = (\text{diagonal screen size in inches}) \times 0.0222 - 0.0442$
ET-DLE150	minimum	$L (m) = (\text{diagonal screen size in inches}) \times 0.0294 - 0.0540$
	maximum	$L (m) = (\text{diagonal screen size in inches}) \times 0.0424 - 0.0498$
<b>Supplied lens</b>	<b>minimum</b>	<b><math>L (m) = (\text{diagonal screen size in inches}) \times 0.0389 - 0.0746</math></b>
	<b>maximum</b>	<b><math>L (m) = (\text{diagonal screen size in inches}) \times 0.0543 - 0.0725</math></b>
ET-DLE250	minimum	$L (m) = (\text{diagonal screen size in inches}) \times 0.0513 - 0.0800$
	maximum	$L (m) = (\text{diagonal screen size in inches}) \times 0.0811 - 0.0792$
ET-DLE350	minimum	$L (m) = (\text{diagonal screen size in inches}) \times 0.0809 - 0.1351$
	maximum	$L (m) = (\text{diagonal screen size in inches}) \times 0.1223 - 0.1346$
ET-DLE450	minimum	$L (m) = (\text{diagonal screen size in inches}) \times 0.1225 - 0.3017$
	maximum	$L (m) = (\text{diagonal screen size in inches}) \times 0.1937 - 0.2991$
ET-DLE030	(fixed focus)	$L1 (m) = (\text{diagonal screen size in inches}) \times 0.0084 - 0.0047$ $L3 (m) = L1 - 0.166$ $L4 (m) = L1 - 0.704$
ET-DLE055	(fixed focus)	$L (m) = (\text{diagonal screen size in inches}) \times 0.0180 - 0.0476$

**Aspect ratio 4:3**

ET-DLE085	minimum	$L (m) = (\text{diagonal screen size in inches}) \times 0.0197 - 0.0471$
	maximum	$L (m) = (\text{diagonal screen size in inches}) \times 0.0244 - 0.0442$
ET-DLE150	minimum	$L (m) = (\text{diagonal screen size in inches}) \times 0.0324 - 0.0540$
	maximum	$L (m) = (\text{diagonal screen size in inches}) \times 0.0467 - 0.0498$
<b>Supplied lens</b>	<b>minimum</b>	<b><math>L (m) = (\text{diagonal screen size in inches}) \times 0.0429 - 0.0746</math></b>
	<b>maximum</b>	<b><math>L (m) = (\text{diagonal screen size in inches}) \times 0.0599 - 0.0725</math></b>
ET-DLE250	minimum	$L (m) = (\text{diagonal screen size in inches}) \times 0.0565 - 0.0800$
	maximum	$L (m) = (\text{diagonal screen size in inches}) \times 0.0893 - 0.0792$
ET-DLE350	minimum	$L (m) = (\text{diagonal screen size in inches}) \times 0.0891 - 0.1351$
	maximum	$L (m) = (\text{diagonal screen size in inches}) \times 0.1347 - 0.1346$
ET-DLE450	minimum	$L (m) = (\text{diagonal screen size in inches}) \times 0.1349 - 0.3017$
	maximum	$L (m) = (\text{diagonal screen size in inches}) \times 0.2133 - 0.2991$
ET-DLE030	(fixed focus)	$L1 (m) = (\text{diagonal screen size in inches}) \times 0.0092 - 0.0047$ $L3 (m) = L1 - 0.166$ $L4 (m) = L1 - 0.704$
ET-DLE055	(fixed focus)	$L (m) = (\text{diagonal screen size in inches}) \times 0.0198 - 0.0476$

• Distances calculated with the above equations will include a slight error.

**Formula for calculating possible heights when using the ET-DLE030**

If using a screen size which has not been previously mentioned, use the following calculation formulas to obtain the possible setting-up height.

For screen aspect ratio of 16:10 Possible setting-up height A1 (mm) = Projection screen size (inches) x 5.0-72.1  
Possible setting-up height A2 (mm) = A1 + 200

For screen aspect ratio of 16:9 Possible setting-up height A1 (mm) = Projection screen size (inches) x 5.9-72.1  
Possible setting-up height A2 (mm) = A1 + 200

For screen aspect ratio of 4:3 Possible setting-up height A1 (mm) = Projection screen size (inches) x 5.7-72.1  
Possible setting-up height A2 (mm) = A1 + 200

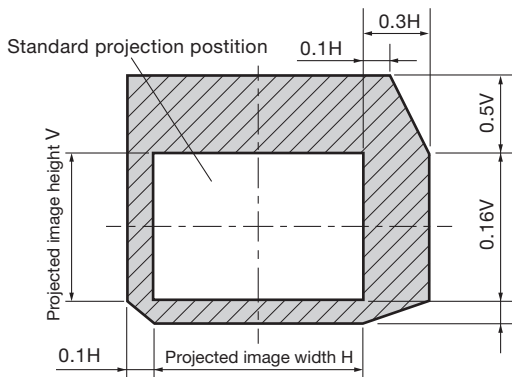
\* There may be a small margin of error in the values obtained from the above formulas.

**Shift range**

Optical axis shift function allows to shift the position of a projected image as shown below.

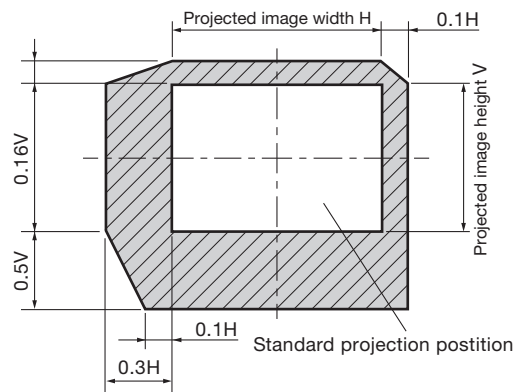
**• Floor mount**

(When the lens except the ET-DLE085 is mounted.)



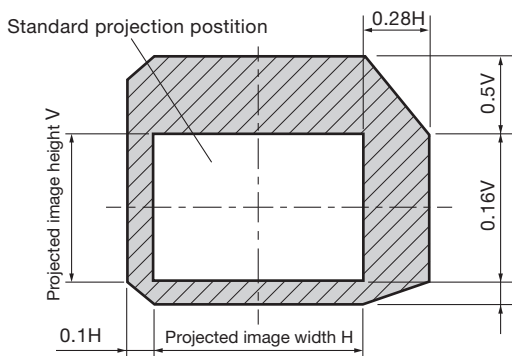
**• Ceiling mount**

(When the lens except the ET-DLE085 is mounted.)



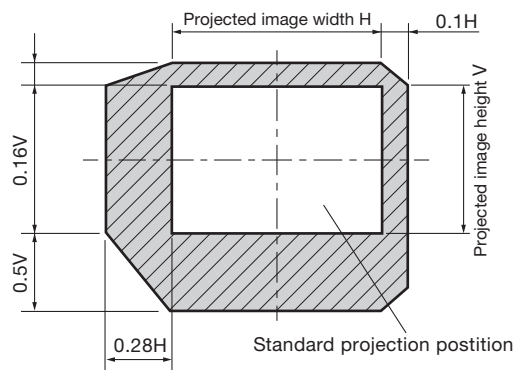
**• Floor mount**

(When the ET-DLE085 is mounted.)



**• Ceiling mount**

(When the ET-DLE085 is mounted.)

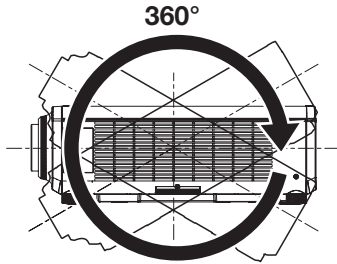


• The ET-DLE055 has a fixed short-focus lens. Therefore, the lens shift function provided in the main unit cannot be used.

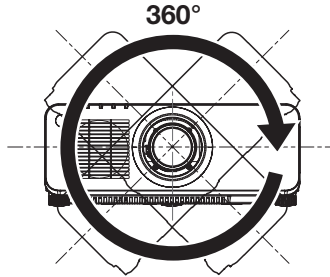
**Installable angle**

Install the projector at an angle within the range shown below.

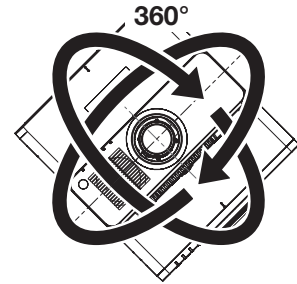
**FULL 360-degree projection**



**Vertical 360-deg.**



**Horizontal 360-deg.**



**Tilting 360-deg.  
(V&H combination)**



**List of compatible signals**

The signals that can be input to this projector are shown in the table below. Horizontal scanning frequencies of 15 kHz to 100 kHz, vertical scanning frequencies of 24 Hz to 120 Hz, and a dot clock of 162 MHz maximum can be input.

**NOTE:** The native resolution of this projector is 1,920 × 1,200 pixels. If the display resolution of the input signal is different from the native resolution, image compression or expansion will be used to convert the input signal to a level within the native resolution.

Display mode	Display resolution (dots)*1	Scanning frequency		Dot clock frequency (MHz)	Format
		H (kHz)	V (kHz)		
NTSC/NTSC4.43/PAL-M/PAL60	720 × 480i	15.7	59.9	-	VIDEO/YC
PAL/PAL-N/SECAM	720 × 576i	15.6	50.0		
525i (480i)	720 × 480i	15.7	59.9	13.5	SDI/RGB
625i (576i)	720 × 576i	15.6	50.0		
525i (480i)	720(1440) × 480i*2	15.7	59.9	27.0	HDMI/DVI-D
625i (576i)	720(1440) × 576i	15.6	50.0		
525p (480p)	720 × 483	31.5	59.9	27.0	RGB/HDMI/DVI-D
625p (576p)	720 × 576	31.3	50.0		
750 (720)/60p	1280 × 720	45.0	60.0	74.3	SDI/RGB/ HDMI/DVI-D
750 (720)/50p		37.5	50.0		
1125 (1080)/60i*3	1920 × 1080i	33.8	60.0	74.3	SDI/RGB/ HDMI/DVI-D
1125 (1080)/50i		28.1	50.0		
1125 (1080)/24p	1920 × 1080	27.0	24.0	148.5	SDI/RGB/ HDMI/DVI-D
1125 (1080)/24sF	1920 × 1080i	27.0	48.0		
1125 (1080)/25p	1920 × 1080	28.1	25.0	148.5	SDI/RGB/ HDMI/DVI-D
1125 (1080)/30p		33.8	30.0		
1125 (1080)/60p	1920 × 1080	67.5	60.0	148.5	SDI/RGB/ HDMI/DVI-D
1125 (1080)/50p		56.3	50.0		
VESA400	640 × 400	31.5	70.1	25.2	SDI/RGB/ HDMI/DVI-D
		37.9	85.1	31.5	
VGA480	640 × 480	31.5	59.9	25.2	SDI/RGB/ HDMI/DVI-D
		35.0	66.7	30.2	
VGA480	640 × 480	37.9	72.8	31.5	SDI/RGB/ HDMI/DVI-D
		37.5	75.0	31.5	
VGA480	640 × 480	43.3	85.0	36.0	SDI/RGB/ HDMI/DVI-D
		35.2	56.3	36.0	
SVGA	800 × 600	37.9	60.3	40.0	SDI/RGB/ HDMI/DVI-D
		48.1	72.2	50.0	
SVGA	800 × 600	46.9	75.0	49.5	SDI/RGB/ HDMI/DVI-D
		53.7	85.1	56.3	
MAC16	832 × 624	49.7	74.6	57.3	SDI/RGB/ HDMI/DVI-D
		39.6	50.0	51.9	
MAC16	832 × 624	48.4	60.0	65.0	SDI/RGB/ HDMI/DVI-D
		56.5	70.1	75.0	
XGA	1024 × 768	60.0	75.0	78.8	SDI/RGB/ HDMI/DVI-D
		65.5	81.6	86.0	
XGA	1024 × 768	68.7	85.0	94.5	SDI/RGB/ HDMI/DVI-D
		81.4	100.0	113.3	
XGA	1024 × 768	98.8	120.0	139.1	SDI/RGB/ HDMI/DVI-D
		53.7	60.0	81.6	
MXGA	1152 × 864	64.0	70.0	94.2	SDI/RGB/ HDMI/DVI-D
		67.5	74.9	108.0	
MXGA	1152 × 864	77.1	85.0	119.7	SDI/RGB/ HDMI/DVI-D
		68.7	75.1	100.0	
MAC21	1152 × 870	68.7	75.1	100.0	SDI/RGB/ HDMI/DVI-D
1280 × 720	1280 × 720	37.1	49.8	60.5	SDI/RGB/ HDMI/DVI-D
		44.8	59.9	74.5	
1280 × 720	1280 × 720	76.3	100.0	131.8	SDI/RGB/ HDMI/DVI-D
		92.6	120.0	161.6	
1280 × 720	1280 × 720	39.6	49.9	65.3	SDI/RGB/ HDMI/DVI-D
		47.8	59.9	79.5	
1280 × 768	1280 × 768	47.4	60.0	68.3	SDI/RGB/ HDMI/DVI-D
		60.3	74.9	102.3	
1280 × 768	1280 × 768**4	60.3	74.9	102.3	SDI/RGB/ HDMI/DVI-D
		68.6	84.8	117.5	

Display mode	Display resolution (dots)*1	Scanning frequency		Dot clock frequency (MHz)	Format
		H (kHz)	V (kHz)		
1280 × 800	1280 × 800	41.3	50.0	68.0	RGB/HDMI/DVI-D
		49.7	59.8	83.5	
	1280 × 800*4	49.3	59.9	71.0	
		62.8	74.9	106.5	
MSXGA	1280 × 960	71.6	84.9	122.5	
		60.0	60.0	108.0	
SXGA	1280 × 1024	52.4	50.0	88.0	
		64.0	60.0	108.0	
		72.3	66.3	125.0	
		78.2	72.0	135.1	
		80.0	75.0	135.0	
1366×768	1366 × 768	91.1	85.0	157.5	
		47.7	59.8	85.5	
		39.6	49.9	69.0	
SXGA+	1400 × 1050	54.1	50.0	99.9	
		64.0		108.0	
		65.2	60.0	122.6	
		65.3		121.8	
		78.8	72.0	149.3	
		82.2	75.0	155.9	
WXGA+	1440 × 900	55.9	59.9	106.5	
		46.3		86.8	
1600×900	1600 × 900	46.4	49.9	96.5	
		55.9	60.0	119.0	
UXGA	1600 × 1200	61.8	49.9	131.5	
		75.0	60.0	162.0	
WSXGA+	1680 × 1050	65.3	60.0	146.3	
		54.1	50.0	119.5	
		1920 × 1080	55.6	49.9	141.5
1920×1080	1920 × 1080*4	66.6	59.9	138.5	
		67.2	60.0	173.0	
	1920 × 1080*5	61.8	49.9	158.3	
WUXGA	1920 × 1200*4	74.0	60.0	154.0	
		1920 × 1200*5	74.6	59.9	193.3
					RGB
					RGB/HDMI/DVI-D
					RGB

\*1 The “i” appearing after the resolution indicates an interlaced signal.  
 \*2 Only compatible with dot clock frequency of 27 MHz (pixel repetition signal)  
 \*3 When 1125(1035)/60i signal input, it displays as 1125(1080)/60i signals.  
 \*4 Compliant with VESA CVT-RB (Coordinated Video Timing-Reduced Blanking).  
 \*5 Image resolution is reduced by the image processing circuit before projection.

NOTE: DIGITAL LINK and HDMI inputs share the same compatible signal.